

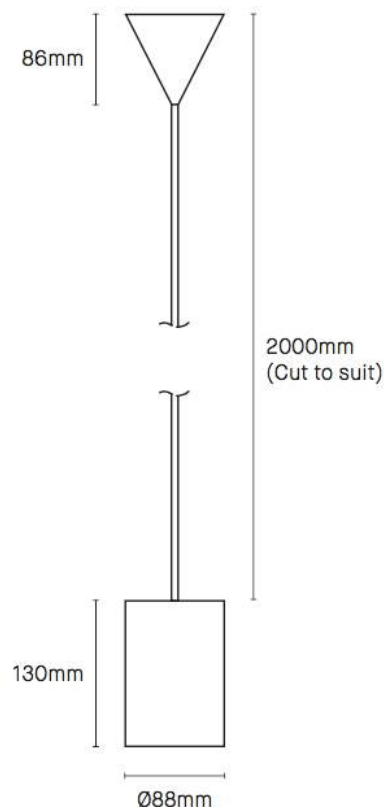


Technical specifications

Solid Pendant Cylinder
Carrara marble

Shade material	Fine-grained Carrara marble
Shade dimensions	Ø 88mm. H 130mm
Shade weight	1100g (weight may vary)
Cable	2 metre, matt white cable supplied (Ø 4.5mm, 2 x 0.82)
Ceiling fixing	Conical steel ceiling rose fixing, powder-coated in semi-matt white (RAL 9003). Ceiling rose Ø 88mm, H 86mm. All fixings are hidden within the ceiling rose.

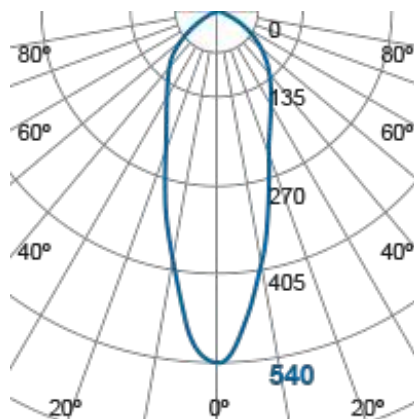
Other information	IP20 rated. Class 1 Supply voltage: 220-240V ~ 50/60Hz Lampholder: GU10 Lamp Type (Bulb): LED only. 8W Max Tested and approved by the Lighting Industry Association for compliance with EN-60598 Part 1 and EN-60598 Part 2-1.
--------------------------	--



Technical specifications

MEGAMAN[®] PAR16 5.5W GU10 2800K Dimmable

Reflector type	PAR16
Wattage	5.5W
Voltage	220-240V~ 50-60Hz
Lamp base	GU10
Lamp life (L90)	25,000hrs
Beam angle	WFL (35°)
Colour temperature	Warm white (2800K)
Colour rendering index	Ra82
Max. lumen intensity	540cd
Total luminous flux	500lm
Operating temperature	-30°c to +40°c
Diameter	50mm
Length	57mm
Weight	61g
Dimmable	100-5%
Energy label	A+



m	Lux	Ø cm
0.5	2160	32
1	540	63
1.5	240	95
2	135	126

Beam angle = 35°

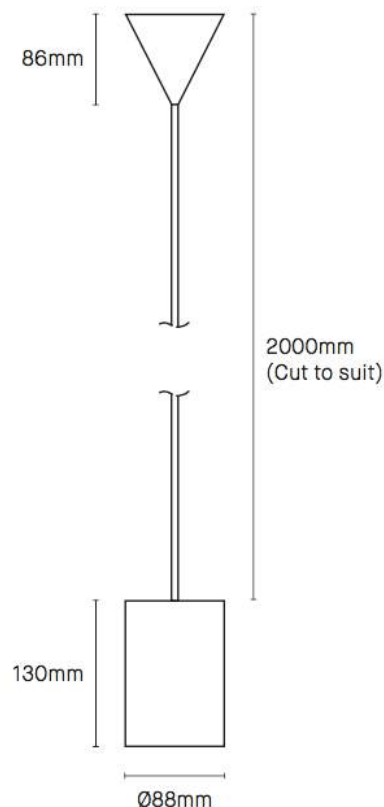


Technical specifications

Solid Pendant Cylinder
Nero Marquina marble

Shade material	Fine-polished Nero Marquina marble
Shade dimensions	Ø 88mm. H 130mm
Shade weight	1100g (weight may vary)
Cable	2 metre, matt black cable supplied (Ø 4.5mm, 2 x 0.82)
Ceiling fixing	Conical steel ceiling rose fixing, powder-coated in semi-matt black (RAL 9005). Ceiling rose Ø 88mm, H 86mm. All fixings are hidden within the ceiling rose.

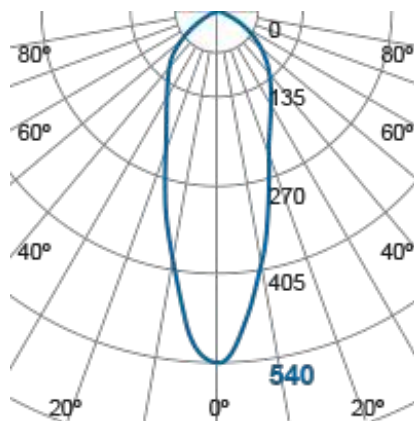
Other information	IP20 rated. Class 1 Supply voltage: 220-240V ~ 50/60Hz Lampholder: GU10 Lamp Type (Bulb): LED only. 8W Max Tested and approved by the Lighting Industry Association for compliance with EN-60598 Part 1 and EN-60598 Part 2-1.
--------------------------	--



Technical specifications

MEGAMAN[®] PAR16 5.5W GU10 2800K Dimmable

Reflector type	PAR16
Wattage	5.5W
Voltage	220-240V~ 50-60Hz
Lamp base	GU10
Lamp life (L90)	25,000hrs
Beam angle	WFL (35°)
Colour temperature	Warm white (2800K)
Colour rendering index	Ra82
Max. Lumen intensity	540cd
Total luminous flux	500lm
Operating temperature	-30°c to +40°c
Diameter	50mm
Length	57mm
Weight	61g
Dimmable	100-5%
Energy label	A+



m	Lux	Ø cm
0.5	2160	32
1	540	63
1.5	240	95
2	135	126

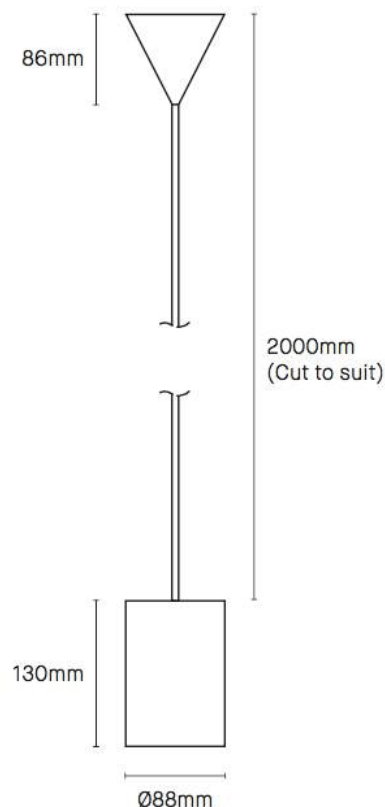
Beam angle = 35°



Technical specifications

Solid Pendant Cylinder
Natural Oak

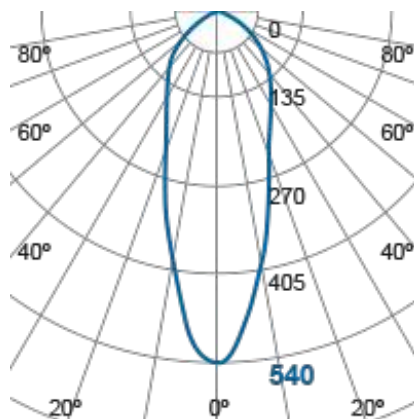
Shade material	European Oak, lacquered matt.
Shade dimensions	Ø 88mm. H 130mm.
Shade weight	275g (weight may vary)
Cable	2 metre matt white cable supplied (Ø 4.5mm, 2 x 0.82)
Ceiling fixing	Conical steel ceiling rose fixing, powder-coated in white (RAL 9003). Ceiling rose Ø 88mm, H 86mm. All fixings are hidden within the ceiling rose.
Other information	IP20 rated. Class 1. Supply voltage: 220-240V ~ 50/60Hz Lampholder: GU10 Lamp Type (Bulb): LED only. 8W Max. Tested and approved by the Lighting Industry Association for compliance with EN-60598 Part 1 and EN-60598 Part 2-1.



Technical specifications

MEGAMAN[®] PAR16 5.5W GU10 2800K Dimmable

Reflector type	PAR16
Wattage	5.5W
Voltage	220-240V~ 50-60Hz
Lamp base	GU10
Lamp life (L90)	25,000hrs
Beam angle	WFL (35°)
Colour temperature	Warm white (2800K)
Colour rendering index	Ra82
Max. lumen intensity	540cd
Total luminous flux	500lm
Operating temperature	-30°c to +40°c
Diameter	50mm
Length	57mm
Weight	61g
Dimmable	100-5%
Energy label	A+



m	Lux	Ø cm
0.5	2160	32
1	540	63
1.5	240	95
2	135	126

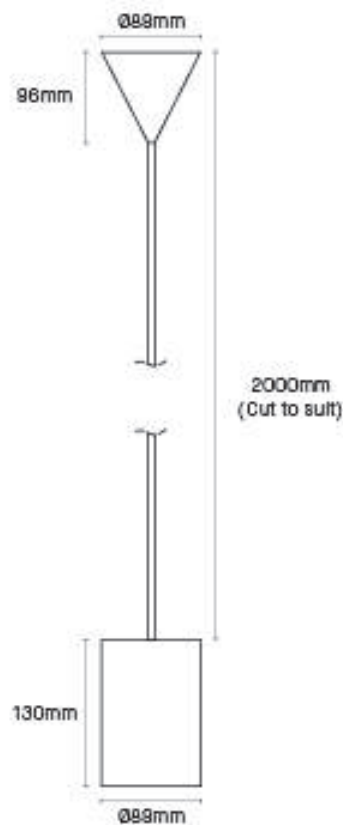
Beam angle = 35°



Technical specifications

Solid Pendant Cylinder
Black Stained Oak

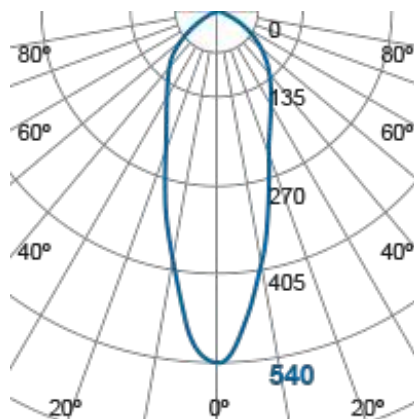
Shade material	Black stained European Oak, lacquered matt.
Shade dimensions	Ø 88mm. H 130mm.
Shade weight	275g (weight may vary)
Cable	2 metre, matt black cable supplied (Ø 4.5mm, 2 x 0.82)
Ceiling fixing	Conical steel ceiling rose fixing, powder-coated in semi-matt black (RAL 9005). Ceiling rose Ø 88mm, H 86mm. All fixings are hidden within the ceiling rose.
Other information	IP20 rated. Class 1. Supply voltage: 220-240V ~ 50/60Hz Lampholder: GU10 Lamp Type (Bulb): LED only. 8W Max. Tested and approved by the Lighting Industry Association for compliance with EN-60598 Part 1 and EN-60598 Part 2-1.



Technical specifications

MEGAMAN[®] PAR16 5.5W GU10 2800K Dimmable

Reflector type	PAR16
Wattage	5.5W
Voltage	220-240V~ 50-60Hz
Lamp base	GU10
Lamp life (L90)	25,000hrs
Beam angle	WFL (35°)
Colour temperature	Warm white (2800K)
Colour rendering index	Ra82
Max. lumen intensity	540cd
Total luminous flux	500lm
Operating temperature	-30°c to +40°c
Diameter	50mm
Length	57mm
Weight	61g
Dimmable	100-5%
Energy label	A+



m	Lux	Ø cm
0.5	2160	32
1	540	63
1.5	240	95
2	135	126

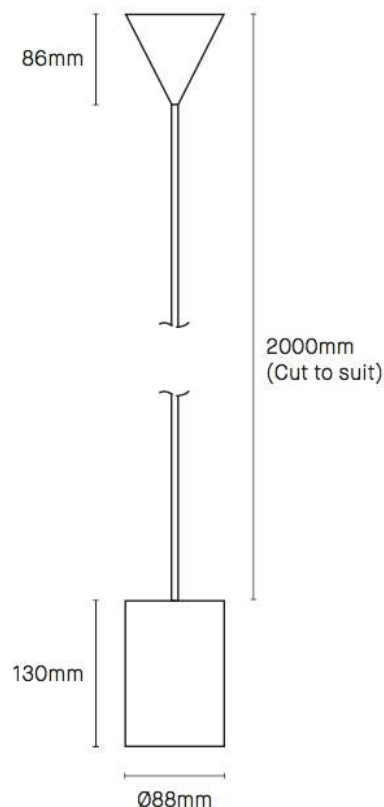
Beam angle = 35°



Technical specifications

Solid Pendant Cylinder
Walnut

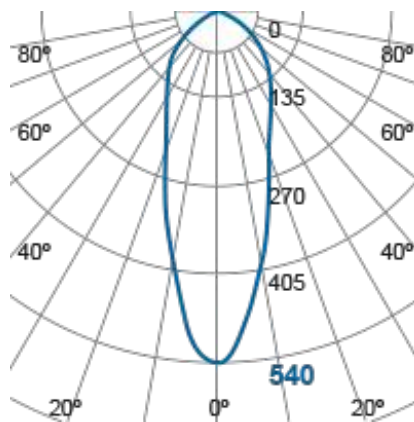
Shade material	American black Walnut, lacquered matt.
Shade dimensions	Ø 88mm. H 130mm.
Shade weight	270g (weight may vary)
Cable	2 metre, matt black cable supplied (Ø 4.5mm, 2 x 0.82)
Ceiling fixing	Conical steel ceiling rose fixing, powder-coated in semi-matt black (RAL 9005). Ceiling rose Ø 88mm, H 86mm. All fixings are hidden within the ceiling rose.
Other information	IP20 rated. Class 1. Supply voltage: 220-240V ~ 50/60Hz Lampholder: GU10 Lamp Type (Bulb): LED only. 8W Max. Tested and approved by the Lighting Industry Association for compliance with EN-60598 Part 1 and EN-60598 Part 2-1.



Technical specifications

MEGAMAN[®] PAR16 5.5W GU10 2800K Dimmable

Reflector type	PAR16
Wattage	5.5W
Voltage	220-240V~ 50-60Hz
Lamp base	GU10
Lamp life (L90)	25,000hrs
Beam angle	WFL (35°)
Colour temperature	Warm white (2800K)
Colour rendering index	Ra82
Max. Lumen intensity	540cd
Total luminous flux	500lm
Operating temperature	-30°c to +40°c
Diameter	50mm
Length	57mm
Weight	61g
Dimmable	100 – 5%
Energy label	A+



m	Lux	Ø cm
0.5	2160	32
1	540	63
1.5	240	95
2	135	126

Beam angle = 35°