

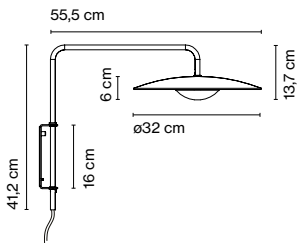
# Ginger

## Joan Gaspar

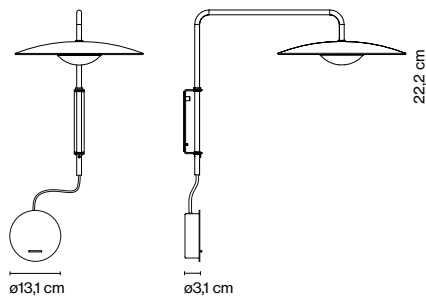
**marset**



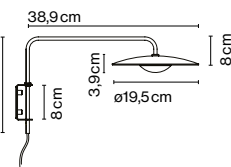
**Ginger A (Plug-in)**



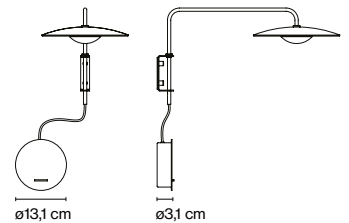
**Ginger A (Hardwired)**



**Ginger 20 A (Plug-in)**



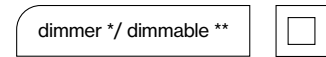
**Ginger 20 A (Hardwired)**



**Ginger A**

Light Source:  
LED SMD 700mA 8,2W  
2700K CRI90 913lm  
Luminaire:  
220 - 240 VAC TRIAC 9,89W  
350lm

Pressed wood diffuser of 4 mm in natural oak or wenge. Injected aluminium dissipater and metal structure in lacquered black matte.



**Ginger 20 A**

Light Source:  
LED SMD 350mA 4,05W  
2700K CRI90 463lm  
Luminaire:  
85 - 264 VAC 5,7W 161lm



- [Download](#) Assembly Instructions
- [Download](#) Photometric Data
- [Download](#) 2D
- [Download](#) 3D

LED included

- Oak
- Wenge

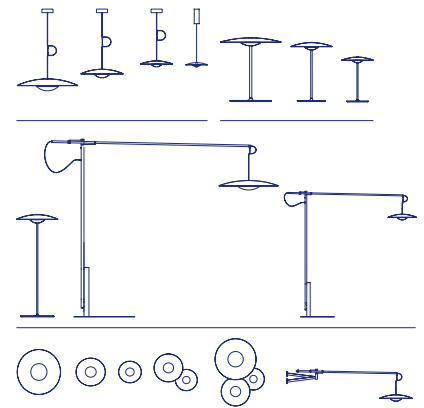
Black electrical cord

Connections available: plug-in, hardwired or recessed

\* Plug-in wall fixtures: inline motion sensor dimmer  
\*\* Hardwired wall fixtures: dimmable

Watch the video  
info@marset.com  
www.marset.com

**Range**



This wall version adds a simple folding structure to the lampshade, turning it into the perfect lamp for the head of a bed, to illuminate a reading corner or even to be used as an occasional lamp over a table.

### How Ginger illuminates

**Ginger 20 A**

**Ginger A**

